

CLASSIC 1 group



Ref602645 (UCLASSIC1UL)

Traditional Espresso Machine

- 1 Group
- No Steam - Hot Water - Inox Steam
- Inox
- 110 V 1N 60~Hz 1,7kW
- UL/NSF Certified

General Features

The Classic is the perfect traditional espresso machine to guarantee top-quality espresso and consistency even in busy periods.

With elegant lines and reliable technologies appreciated by coffee professionals, the Classic is made even more attractive by its quality/price ratio. The Classic is available in 1, 2 or 3 group configurations.

CLASSIC 1 group

Main Features

- Maestro brew group: directly to boiler group heads are mounted for shot temperature stability.
- Large cup warming capacity: integrated cup warmer on the top of the machines.
- 4 programmable volume keys per group + Semi-automatic key for each group for manual control.
- Automatic cleaning program.
- The CLASSIC Elegant lines and reliable technologies appreciated by coffee professionals, the CLASSIC model is made more attractive by its quality/ price ratio. The CLASSIC is the perfect traditional espresso machine to ensure an excellent quality espresso result, and consistency even during the busiest periods of the day.
- Heavy duty components and welded construction, a direct mounted boiler group head for thermal stability and reliable extraction, easy access to components for uncomplicated servicability, and unlimited steam.

Construction

- Built-in cup warmer.

Included Accessories

Optional Accessories

- KIT OF RAISED 3" FEET PNC 871041

CLASSIC 1 group

Electric

Supply voltage: 110 V/1 ph/60 Hz

Electrical power, max: 1.7 kW

Plug type:

Water:

Cold water temperature (min/max): 5 / 60 °C

Key Information:

External dimensions, Height: 22 13/16" (580 mm)

External dimensions, Weight: 90 lbs (41 kg)

Net weight: 90 lbs (41 kg)

Shipping width: 19 11/16" (500 mm)

Shipping depth: 29 1/2" (750 mm)

Shipping height: 33 1/16" (840 mm)

Shipping weight: 112 lbs (51 kg)

Shipping volume: 0.3 m³

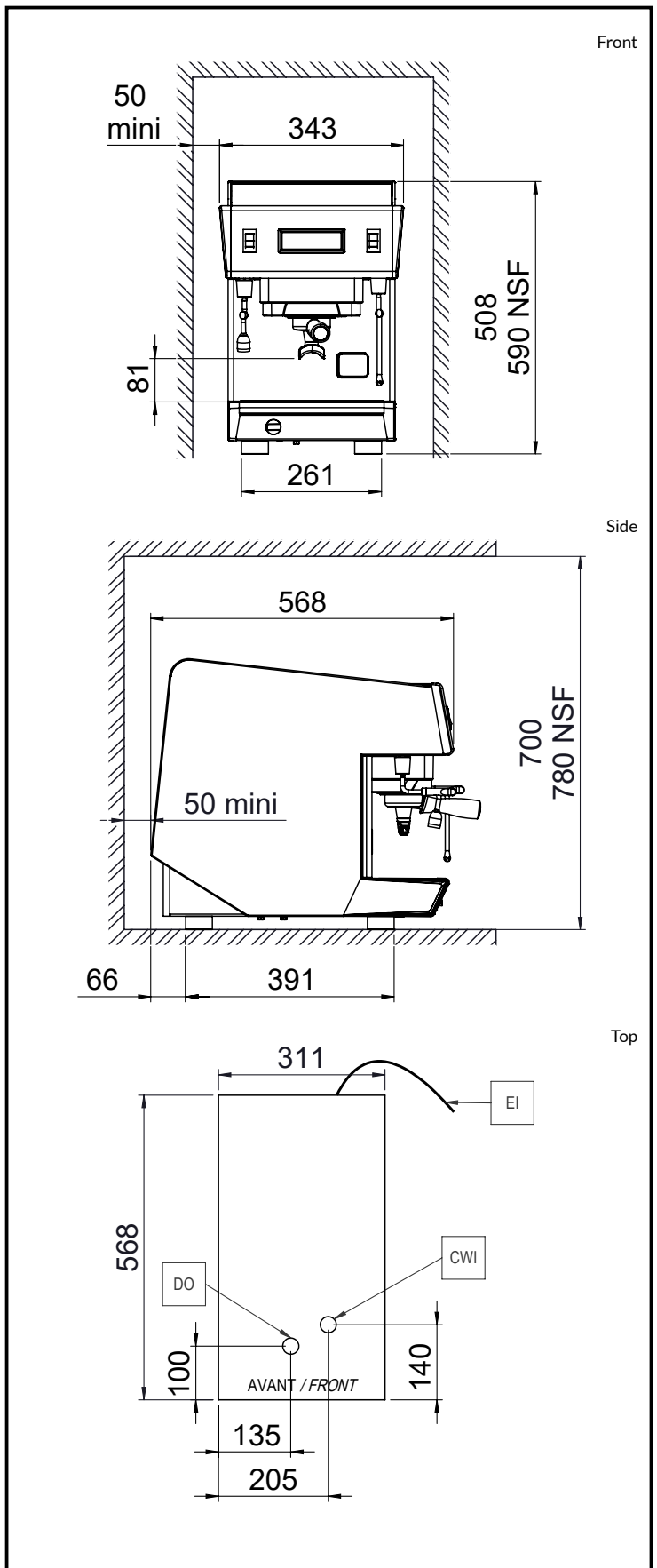
Certifications



The company reserves the right to make modifications to the products without prior notice. All information correct at time of printing.

2025.03.21

Part of  Electrolux Professional Group



UNIC